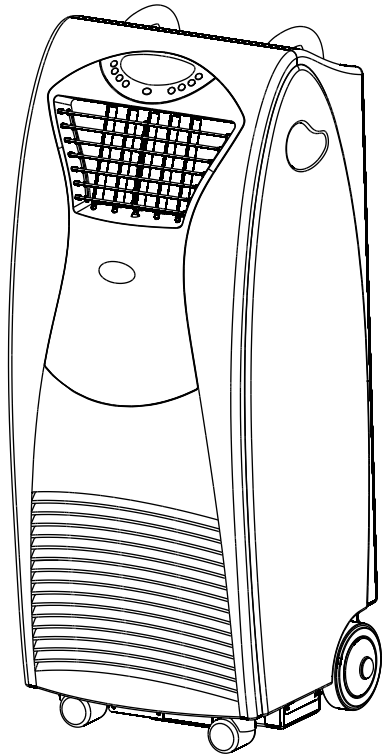


Dimplex[®]

4.4kW REVERSE CYCLE

PORTABLE AIR CONDITIONER

Model: GDC-AC15RCW



INSTRUCTION MANUAL

PLEASE READ THE INSTRUCTION MANUAL CAREFULLY BEFORE USING THE UNIT

Table of Contents

■	WARNINGS & PRE-CAUTIONS	1
■	STRUCTURE	3
■	OPERATION	7
■	MAINTENANCE	15
■	TROUBLE SHOOTING	18
■	TECHNICAL SPECIFICATIONS	20
■	WARRANTY	20

WARNINGS AND PRE-CAUTIONS

1. Warnings

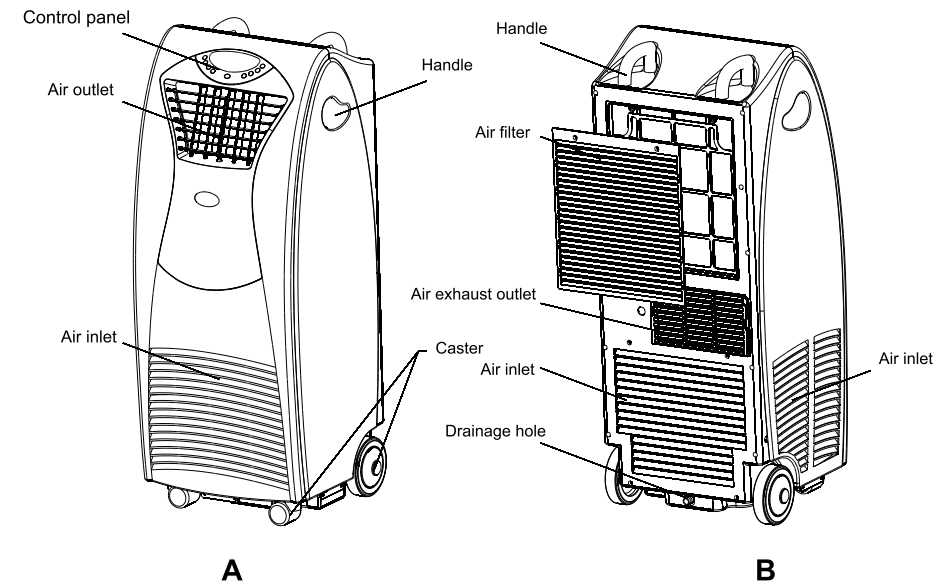
- Never place the unit near any gas appliances, fire or flammable liquids.
- Never hit or shake the unit to prevent damage.
- Never cover or obstruct the air inlet or outlet to prevent overheating.
- Never spray water or place the unit near water to prevent electric shock.
- Make sure to have a professional technician, manufacturer or a service agent to replace a damaged power cord.
- Never share the power outlet with other appliances.
- Never connect or disconnect the power plug with wet hands to avoid electric shocks.
- Never put rods or objects into the opening of the unit.
- Never use an extension cord.
- To restart the compressor, you must wait at least 3 minutes to ensure no damage is caused to the unit.

2. Cautions

- Keep the unit at least 1 metre away from electric appliances such as TV's and radios, to avoid electromagnetic interference.
- Do not expose the unit under direct sunlight to avoid surface colour fading.
- Do not tilt the unit for more than 35 degrees or upside down while transporting.
- Place the unit on a flat surface with less than 5 degree inclination.
- The unit operates more efficiently in certain room locations (see Technical Specifications).
- Empty the condensed water tank before putting the unit in storage to prolong the unit lifetime at the end of the season.
- Do not use chemical solvents (i.e. Benzene, alcohol-grazer) to clean the unit surface to avoid scratching and damaging the surface.
- This appliance is not intended for use by persons (including children) with reduced physical, sensory or mental capabilities, or lack of experience and knowledge, unless they have been given supervision or instruction concerning use of the appliance by a person responsible for their safety.
- Children should be supervised to ensure that they do not play with the appliance.

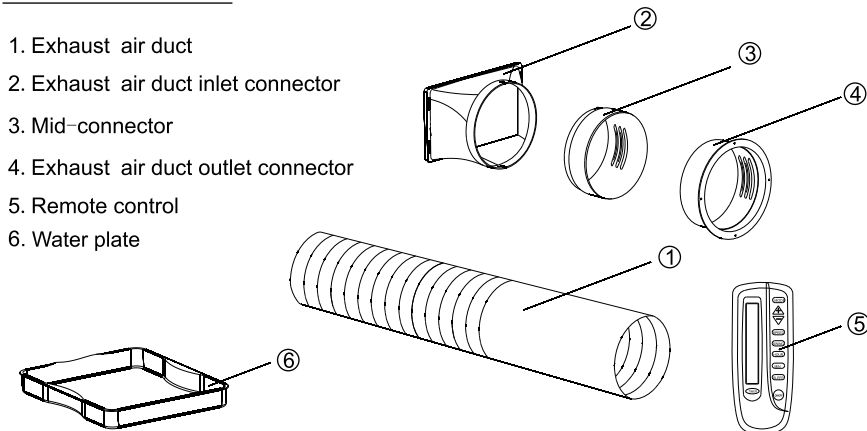
STRUCTURE

Body parts



Accessories

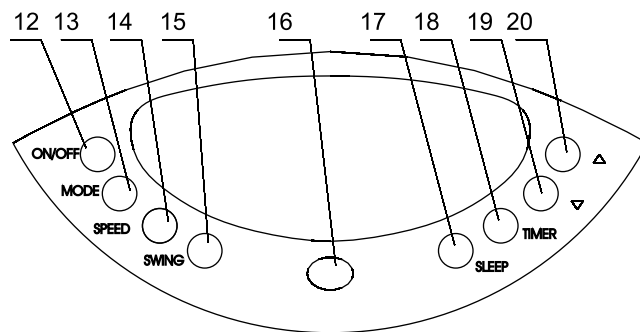
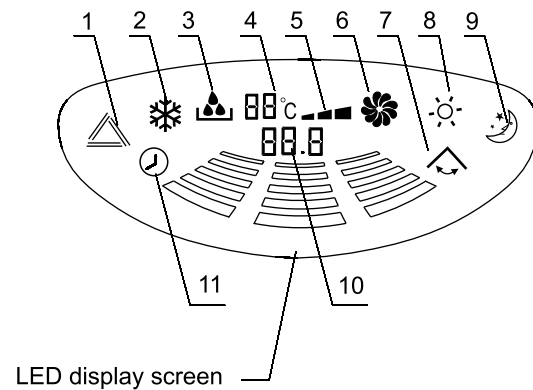
1. Exhaust air duct
2. Exhaust air duct inlet connector
3. Mid-connector
4. Exhaust air duct outlet connector
5. Remote control
6. Water plate



STRUCTURE

Control Panel

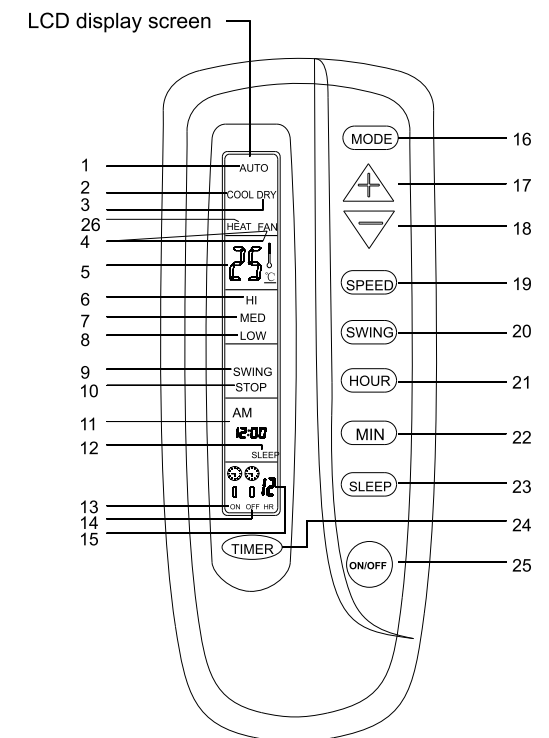
1. Automatic mode indicator
2. Cooling mode indicator
3. Dehumidify mode indicator
4. Room temperature
5. Fan speed
6. Fan mode indicator
7. Swing indicator
8. Heat
9. Sleep mode indicator
10. Timer
11. Timer indicator
12. On/Off power button
13. Mode button
14. Speed button
15. Swing button
16. Signal Receptor
17. Sleep button
18. Timer button
19. Timer/Temperature up button
20. Timer/Temperature down button



STRUCTURE

Remote control

1. Automatic mode indicator
2. Cooling mode indicator
3. Dehumidify mode indicator
4. Fan mode indicator
5. Room temperature
6. High speed indicator
7. Medium speed indicator
8. Low speed indicator
9. Swing running indicator
10. Swing stop indicator
11. Clock display
12. Sleep mode indicator
13. Automatic on indicator
14. Automatic off indicator
15. Timer
16. Mode button
17. Timer/Temperature up
18. Timer/Temperature down
19. Speed button
20. Swing button
21. Clock hour button
22. Clock minute button
23. Sleep button
24. Timer button
25. On/Off power button
26. Heat mode indicator



Operation

Do not operate in Cooling and dehumidifying mode when room temperature exceeds DB35 °C ,RH=70%.

■ Control panel operation

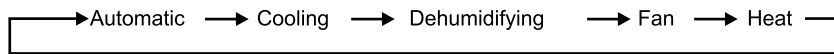
● Automatic, Dehumidify, Cooling, Fan mode operation

1. Turn on the unit

- Plug in the power cord. The unit beeps twice.
- Press the "On/Off" button to turn on the unit.
The LED displays the room temperature and operate in Automatic mode.

2. Select operating mode

Press the "Mode" button to witch to select a desired mode shown below:

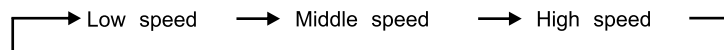


3. Adjusting Temperature

The adjustable temperature range is 15~31 °C. Press ▲ (temp up) or ▼ (temp down) button to increase or decrease by 1°C. The unit LED shows the target temperature for 5 seconds and then displays the room temperature .

4. Adjusting Fan Speed

Press the "Speed" button to select a desire fan speed shown below:



5. Turn off

When you press "On/Off" button ,the unit will emit "di" and stop working.

Notic:

Each mode working principle

*Automatic mode:

Operation

1. Once the Automatic Operation is selected, the indoor temperature sensor operates automatically to select the desired operation mode with Cooling or Fan.

2. When the room temperature ≥ 24 °C, the unit automatically to select cooling mode and the upper fan turned to low speed automatically.

3. When the room temperature ≥ 23 °C, the unit automatically to select fan mode and the upper fan turned to low speed automatically.

*Dehumidifying mode

- The upper fan will run at low speed ,the speed is not adjustable.
- The compressor and lower fan with 8 mins. ON and 6 mins. OFF automatically.
- The unit adopts constant temperature dehumidifying mode, adjustment of temperature is no effective.

*Cooling mode:

- When the room temperature is higher than set temperature ,The compressor starts to run.
- When the room temperature is lower than set temperature ,the compressor stop and upper fan operates at original set speed.

*Fan mode:

- The upper fan run at set speed ,the compressor and lower fan motor do not run .
- The temperature is not adjustable.

*Heat mode:

Under heat mode, In case of the cool air blow from the air outlet, the upper fan will run 30 seconds later after starting the unit and will go on running 30 Seconds after power off the unit.

● Timer operation

- Press "Timer" button to set Automatic Off time while the unit is running.
- Press "Timer" button to set Automatic On time while the unit is ready.
- The adjustable time range is 1~12 hour, The interval of each press of ▲ and ▼ is 1 hour. The timer will display in LED window correspondingly.

● Swing operation

- Press Swing button to change airflow direction. The unit default setting is straight airflow.
- Press "Swing "button once, the airflow direction will change to swing at 120° right-left.

● Sleep operation

- Sleep operation is useful when the unit under cooling mode.
- Press Sleep Button, it will work under sleep mode and the upper fan turned to low speed automatically. The setting temperature will be increased 1 °C automatically, and after one hour's working, it will be increased 1 °C again automatically. After working 8 hours under sleep mode, the unit will stop.

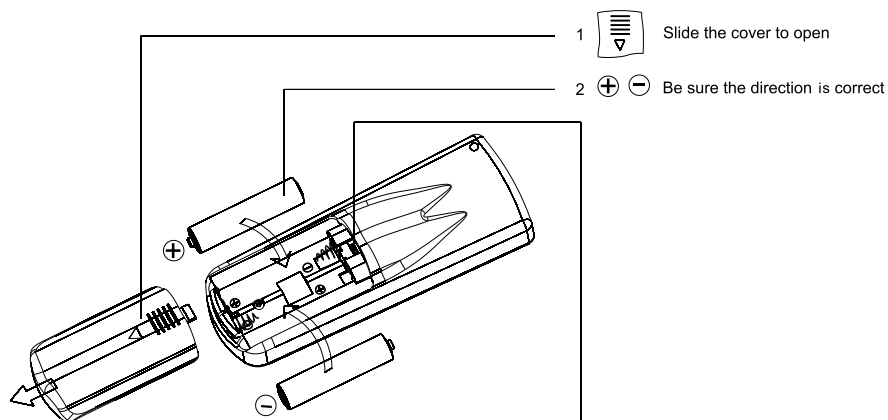
Operation

Please Notice:

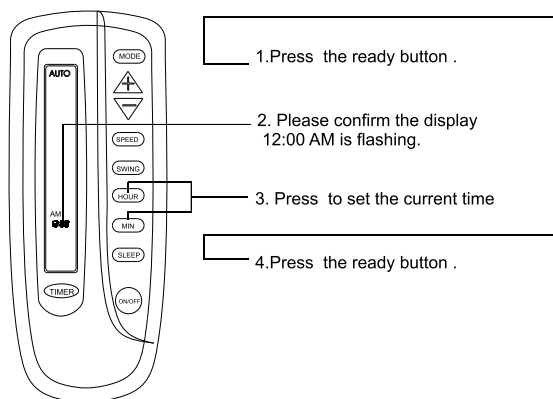
The main control board has memory function,when the unit is ready to run but in stop status, the main control board can memorize the initialization of working mode.When you tun on the unit ,it will work as the same enactment of working-mode as last time,no need to reset the working mode again.(This condition is not available when the unit is under "Auto on" mode) .

Remote Control operation

Inserting batteries



Setting the clock



Operation

How to mounting or change Batteries

- 1.The polarity of batteries must match the indicator in the remote control.
- 2.Don't mix new and old batteries in remote control.
- 3.If the remote control will not be used for a long time, take batteries out to avoid corrosion.
- 4.The batteries must be removed from the remote control before it is scrapped or they are disposed of safety.

How to operate the Remote Control

- 1.There is two methods to Automatic, Dehumidify, Cooling, Fan mode operation for Remote Control:

- 1.Turn on the unit Select working mode >> Adjustment for temeprature >> Adjustment fan speed >>Turn off. (This operation method is the the same as control panel operation)
 2. Select working mode >>Adjustment for temeprature >>Adjustment for fan speed Turn on the unit >>Turn off.
- Timer,swing,sleep operation method is the same as control panel operation.

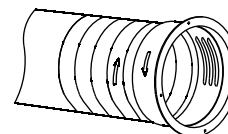
Air Exhaust Duct operation

How to connect the connectors to the Exhaust air duct

1. Extend the exhaust air duct by drawing out the two ends of the duct.
- 2.Screw the exhaust air duct into the mid-connector.

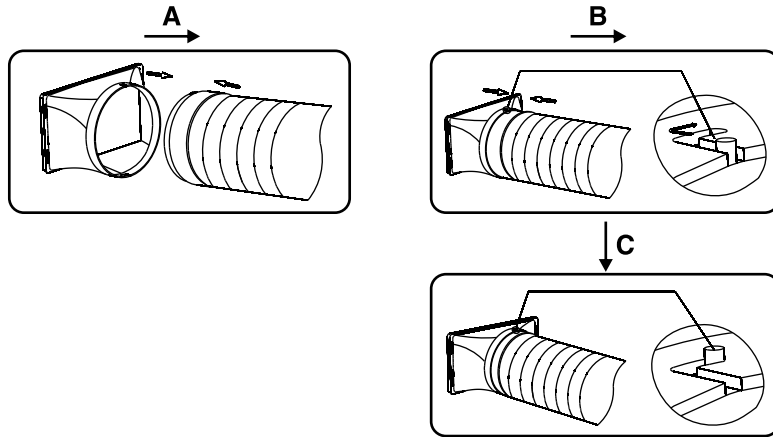


3. Screw the exhaust air duct into the outlet connector.

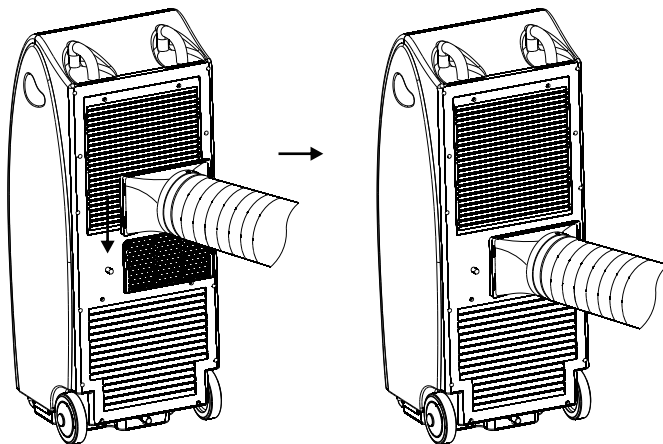


Operation

4. Screw the mid connector into the inlet connector



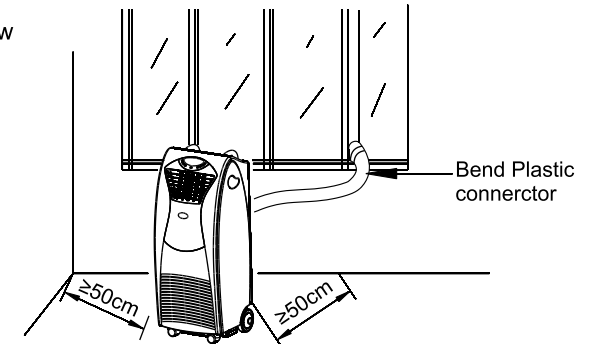
5. Connect the inlet connector onto the unit.



Operation

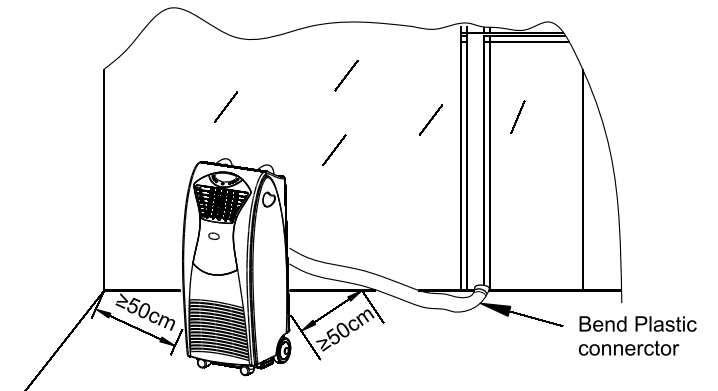
You can use the following methods to exhaust hot air:

- Exhaust hot air from window



Open window for a small angle to put bend plastic pipe outside window and fix it on the window.

- Exhaust hot air from door



1. Open door to an appropriate angle to fit bend plastic pipe to outside.
2. For the wide-open using, air exhaust duct can put on earth directly.
3. When stop using unit, move air exhaust duct from unit and store it carefully.

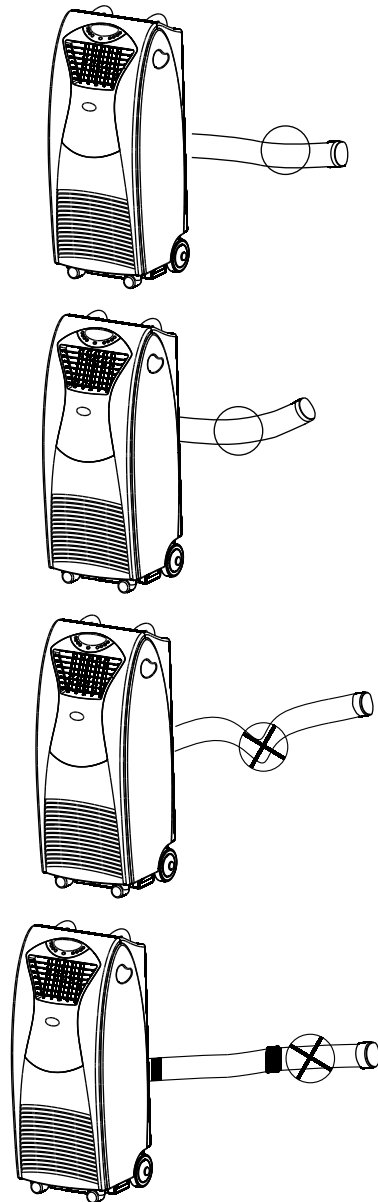
Operation

Please Notice:

1. Air exhaust duct can be extended from 0.55 to 1.5 meters, the unit works more efficiently while the air exhaust duct is shorter.

2. Please make sure the air exhaust duct is not distorted, or the heat air will flow back and increase the unit interior temperature. If so, the unit will stop running automatically.

3. Please make sure not using other specifications' air exhaust duct, or extending air exhaust duct length. Otherwise, the unit working efficiency will decrease.



MAINTENANCE

Filter Cleaning and Changing

Open the air filter

Take out air filter cover from at the back air inflow vent.

Clean

Wash the air filter by immersing it gently into warm (about 40°C) water with a Neutral detergent, rinse the filter with detergent and dry it thoroughly in a shaded Place.

Mounting

Push the air filter cover into air inflow vent.

Notes

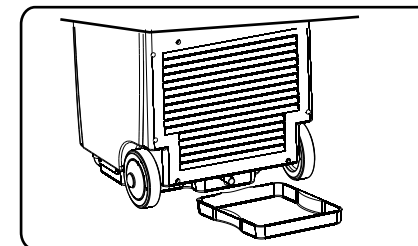
1. Turn off unit before cleaning, confirm socket is pulled out to avoid electric shock
2. If the air filter is blocked with lots of dust, the airflow volume will decrease. Suggest cleaning the filter once every two months.
3. Clean the unit surface by little damp soft cloth, then dry it with a duster or the similar.

How to drain up the condenser water

When unit running at cooling mode, condensed water will be collected into water tray. Buzzer will sound 20 times while water tray gets full, error code "E4" will display in LED window, at the same time, cooling system stops automatically, and fan will stop in 3 minutes automatically as well. If want to start cooling system, please using the following ways to empty water:

A .Water Plate Drainage

1. Horizontally place water plate under drainage hole.
2. Disconnect the rubber plug, condensed water will flow out automatically.
3. When the water tray gets full, push rubber plug back to drainage hole, and empty water plate.
4. Repeat 1,2,3, until all the condensed water in the unit is drained.



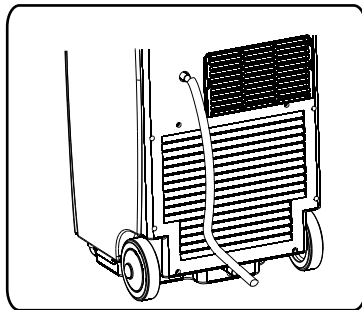
MAINTENANCE

B .Continuous Drainage

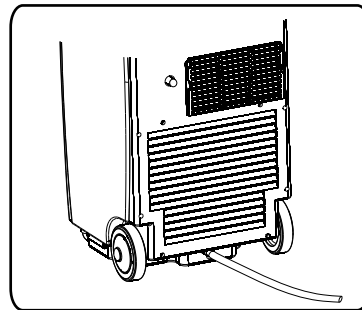
This product adopt continuous drainage function.If you use this unit frequently,please connect the pipe to the unit properly so that the unit can drain the water successfully.

1. Disconnect the rubber plug, store it for later use.
- 2 .Connect supplied drainage pipe to drainage hole, condensed water will flow out automatically.
3. If you want to extend drainage pipe, you can use 18mm (Inside diameter) plastic pipe and connect with the supplied drainage pipe.

Contious drainage on cooling or dehumidifying mode:



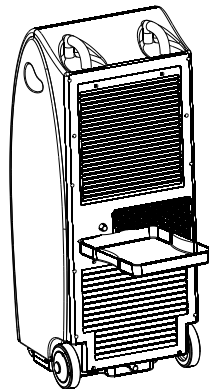
Contious drainage on heating mode:



Please Notice:

In order to maintain the long lifetime of the unit,please empty the condensed water into the water plate as below method .

1. Horizontally place water plate under drainage hole.
2. Disconnect the rubber plug, condensed water will automatically flow out.
3. When the unit is drained, push rubber plug back to drainage hole, and empty water plate.



Trouble shooting

Before ask for repair service,please check:

PROBLEMS	CAUSES	SUGGEST SOLUTIONS
The unit does not work.	Power supply fault: 1.Not plug in; 2.Bad plug or socket; 3.Fuse broken or wire broken	1.Plug in correctly; 2.Change the plug or socket; 3.Send the unit to service center to change the fuse(fuse:3.15A 250V)
The unit stop running automatically.	Timer is set or room temperature is lower than set temperature.	Close the TIMER or wait for it to run automatically
In cooling mode,no cool air coming out.	1.Room teperature is lower than set temperature; 2.There is frost on the evaporator.	1.It is normal phenomena; 2.The unit is defrosting, it will run after defrosting is finished.
In dehumidifying mode,no cool air coming out.	Take off air filter, and you can see frost on the surface of the evaporator.	The unit is defrosting,it will run after defrosting is finished.
Error code "E2" in LCD window.	Failure of the indoor coil sensor.	Change the indoorcoil sensor.
Error code "E3" in LCD window.	Failure of the indoor coil sensor.	Change the indoorcoil sensor.
Error code "E4" in LCD window.	Water tank is full.	Empty water in water plate.


If you are still have problems with the unit, please call the Customer Care Centre on 1300 556 816.

Maintenance

After running for several sessions, there may be dust covered in the air inflow volume to influence the working efficiency of the unit. We recommend that you clean the air filter once every two months to avoid any malfunctions.

When the unit working efficiency decreases, the unit is broken or other problems arise, please stop running the unit and unplug it. Ask for advice by calling your local after sales service agent or call the Customer Care Centre on 1300 556 816.

TECHNICAL SPECIFICATIONS

Model	GDC-AC15RCW	
Cooling Capacity (Btu/h)	4.4 kW	
Heating Capacity (Btu/h)	4.4 kW	
Dehumidifying Capacity	3.5 L/h	
Airflow Volume (m ³ /h)	550	
Voltage/Frequency	220-240V / 50Hz	
Noise Level dB (A)	≤ 55	
Net Weight (kg)	50	
Refrigerant/(g)	R407C/850	
Room Size (m ²)	Up to 30	
Min. Room Size (m ²)	10	
Dimensions	Body (mm)	1000 x 430 x 400
	HxWxD	Package (mm)
		

Warranty:

Warranty exists 24 months from date of purchase. For service advice, please contact the Customer Care Centre on 1300 556 816 (AU) / 0800 666 2824 (NZ)

Glen Dimplex Australia Pty Ltd
 2/205 Abbotts Road
 Dandenong South, Victoria 3175
 Australia
 Ph: 1300 556 816
 Fax: 1800 058 900

Glen Dimplex Australia Pty Ltd
 38 Hamis Road, East Tamaki,
 Manukau, Auckland 2013
 New Zealand
 Ph: 0800 666 2824
 Fx: 0800 112 020